



CMG 410 GR.



Ridged cast iron gas grill.

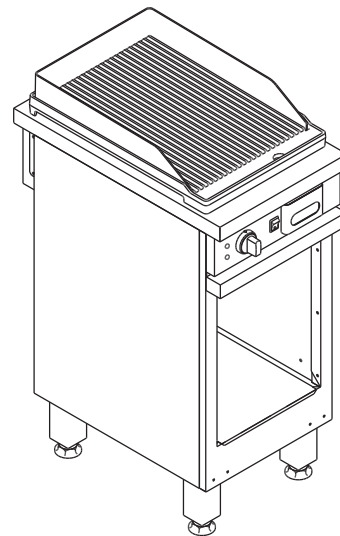
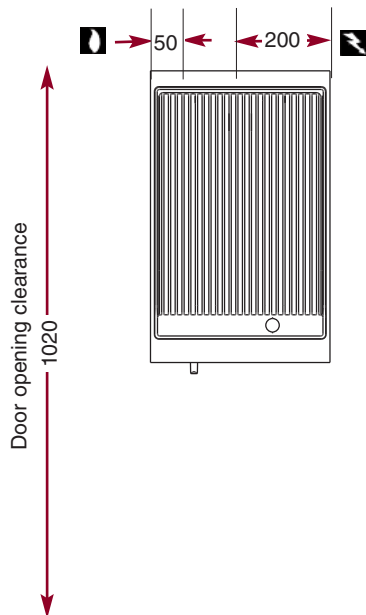
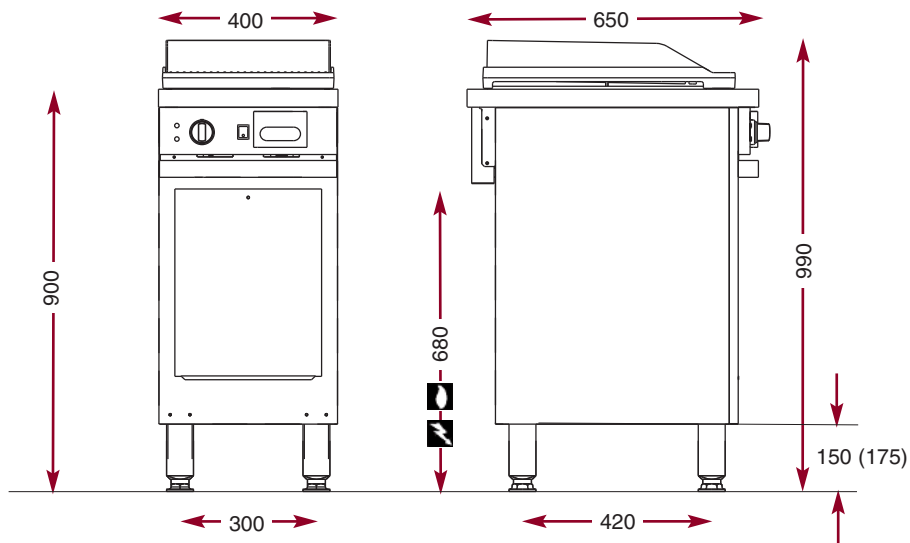
- Ridged enamelled cast iron grill.
- Cooking surface: 350 x 490 mm (17 dm²).
- Collection channel for juices with drainage outlet at the front of the grill.
- Removable oil trap, capacity: 1.5 L.
- Removable 20/10 stainless steel splash-guard.
- Total gas power: 6 kW on 2 burners.
- Gas valve with nominal and reduced flow.
- Thermocouple safety.
- Electric ignition via push-button on control panel.
- Electric supply: 230 V.
- Supplied without shelves – Open bay.



CMG 410 GR

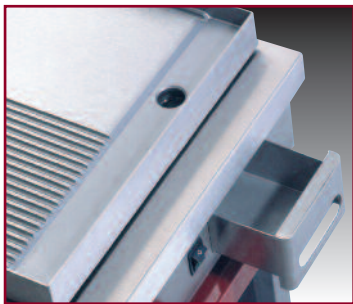
W 400 - D 650 - H 900

Ridged cast iron gas grill

CMG 410 GR



-  Gas connection
-  Electrical connection



Oil trap.

AMBASSADE
DE BOURGOGNE

The Chef's Choice.

N° 48 - 2